

Eaton B198A-12GRN

Catalog Number: B198A-12GRN

Eaton B-Line series clevis bracket, 3.5" H x 12" L x 1.62" W, Steel, DURA GREEN, Clevis bracket downward opening

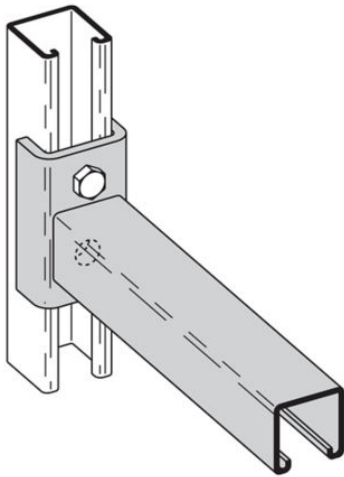


Photo is representative

General specifications

Product Name	Catalog Number
Eaton B-Line series clevis bracket	B198A-12GRN
UPC	Product Length/Depth
781011519865	12 in
Product Height	Product Width
3.5 in	1.62 in
Product Weight	Certifications
2.84 lb	Not Applicable

Model

Type

Clevis bracket, channel opening downward

Material/finish

Finish

DURA GREEN

Material

Steel

Resources

Catalogs

[Strut Fittings Catalog Section](#)

[Channel Nuts and Hardware Catalog Section](#)

Specifications and datasheets

[Eaton Specification Sheet - B198A-12GRN](#)



Eaton Corporation plc
Eaton House
30 Pembroke Road
Dublin 4, Ireland
Eaton.com
© 2024 Eaton. All Rights Reserved.

Eaton is a registered trademark.

All other trademarks are property of their respective owners.



[Eaton.com/socialmedia](https://www.eaton.com/socialmedia)